



AC20 Radar

Advantages

- Provides accurate speed and distance measurements
- Able to detect fast moving objects
- Effective in all weather conditions
- Compact and highly robust package
- Built to automotive standards with proven reliability
- Tracks varying sizes of objects up to several meters in diameter



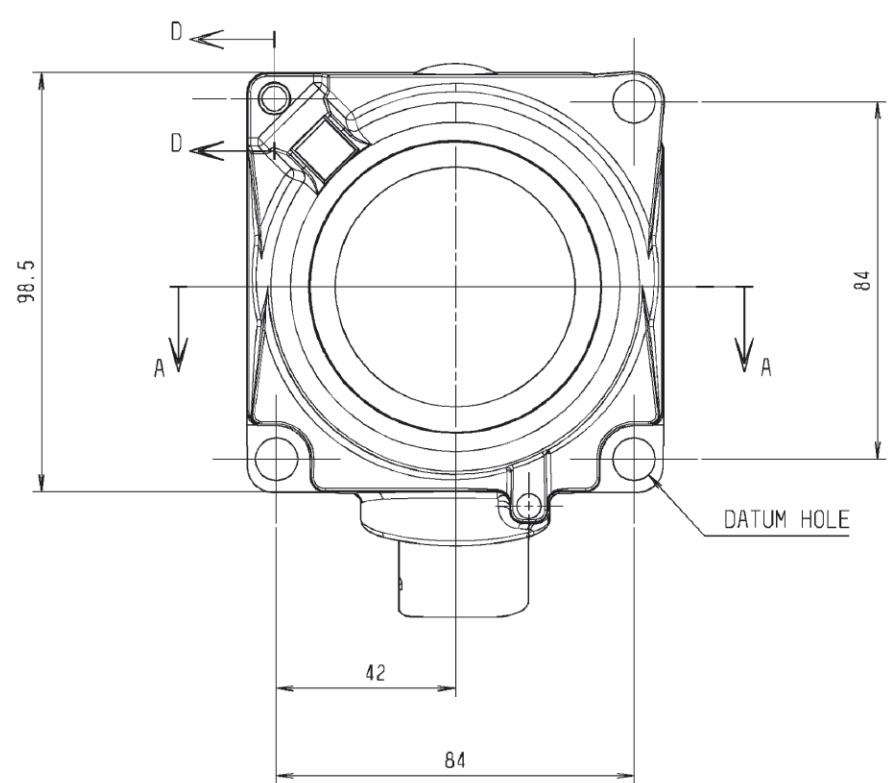
The AC20 provides highly accurate tracking of objects in all weather conditions and over short or long ranges. Targets measuring a few centimetres across to several meters in diameter can be accurately tracked as they pass through the field of view of the AC20, with position and speed measurements available over the high speed CAN interface.

The advanced processing power of the AC20 allows it to simultaneously identify many different targets and classify them based on their size and shape, such as distinguishing between different classes of vehicle.

With its design rooted in the automotive industry, the AC20 boasts high levels of reliability with an impressively robust aluminium enclosure providing resilience to the harshest of environmental conditions. The compact and lightweight design of the AC20 also makes it ideal for mobile operations, particularly when mounted on a vehicle.

Technical Specification

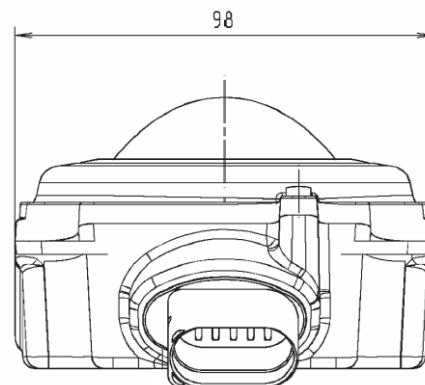
● Frequency	76-77 GHz
● Range	1 to 200 m
● Field of View	11°
● Speed Resolution	0.09 kph
● Weight	0.55 Kg
● Case Operating Temperature	-40 °C +105 °C
● Storage Temperature (no power)	-40 °C +130 °C
● Spray resistance	IP6K9K
● Minimum Operating Voltage	10.8 V
● Maximum Operating Voltage	16 V
● Communications Interface	High speed CAN



For more information on the AC20 Radar, contact:

Tel: +44 (0) 121 627 4242 or

E-mail: conekt-enquiries@trw.com



conekt
powered by **TRW**