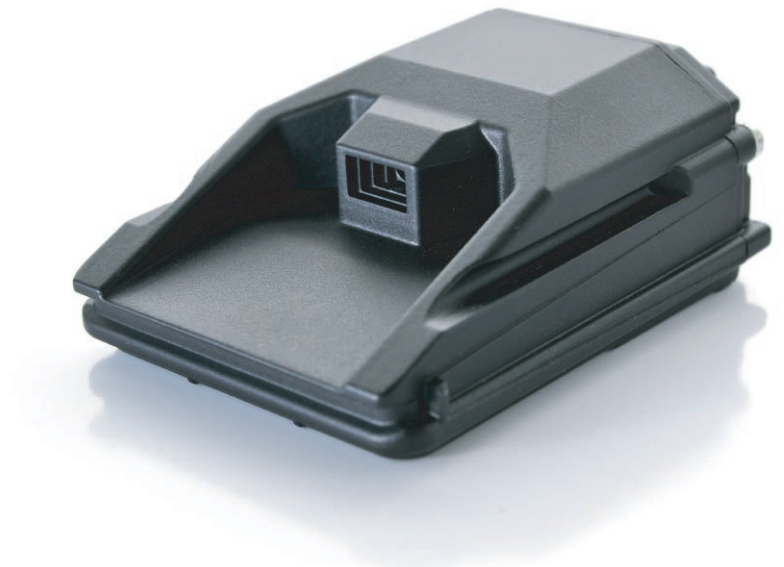




# T Cam +

## Advantages

- Powerful camera capable of complex image recognition tasks in real-time
- On-board processing
- Robust to adverse weather, poor lighting and complicated scenes
- Image recognition data output over CAN interface
- Built to survive extremes in temperature
- Tested and proven in an automotive environment
- Capable of tasks in a variety of industries



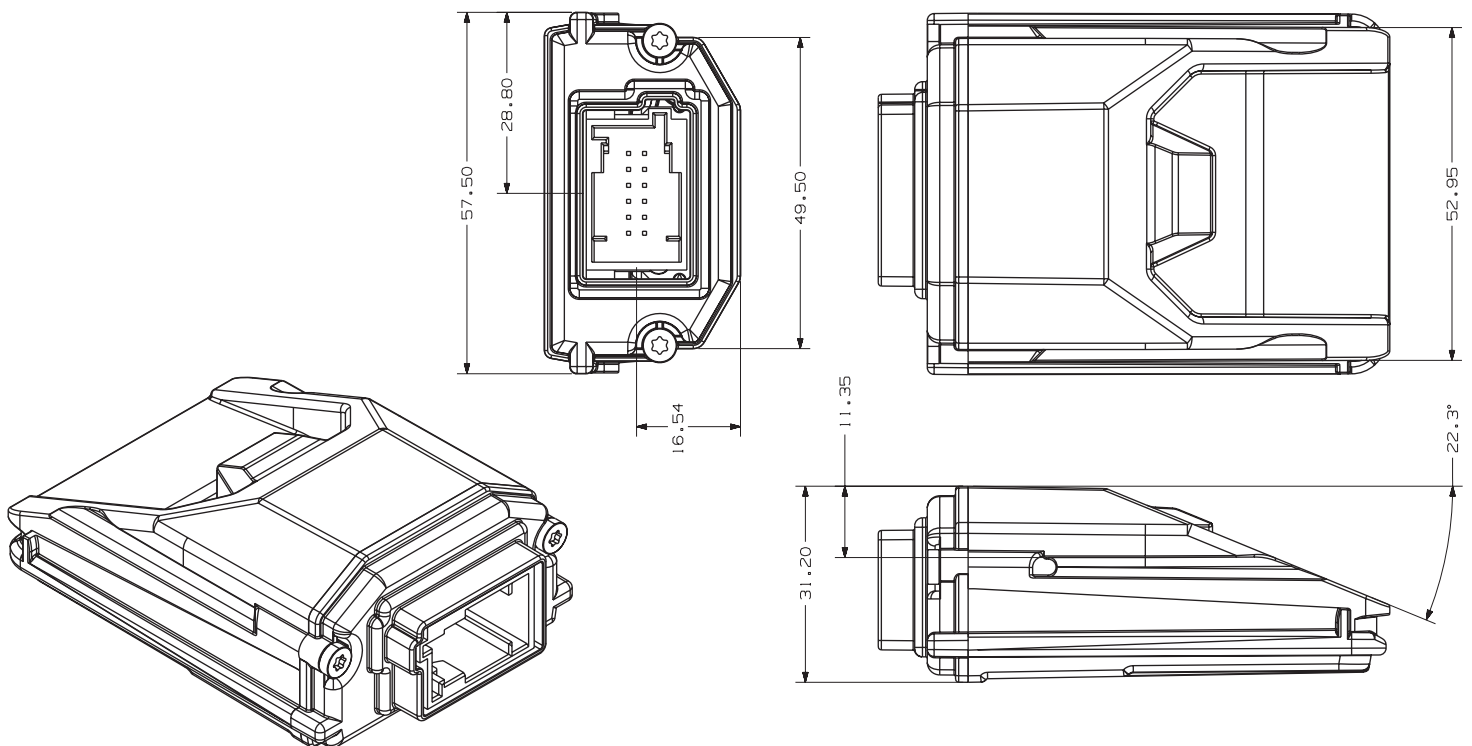
The T Cam+ is an advanced compact video camera with integrated image processing capabilities. It is able to monitor a scene and apply sophisticated image recognition techniques to provide accurate measurements over a CAN interface.

Thanks to the T Cam+'s powerful on-board processing, TRW Conekt is able to develop complex recognition tasks that even function during adverse weather conditions, bad lighting and confusing or busy scenes. Its robust, high quality build also means it can continue to operate in extreme ranges of temperatures and during continuous vibrations.

The T Cam+ was initially developed for TRW's Lane Departure Warning System, in which it is capable of tasks such as detecting road markings, measuring vehicle widths, analysing the distance to the vehicle in front and monitoring lighting conditions. While proven in this automotive environment, the T Cam+ is also capable of various image recognition tasks (vehicle based, industrial or otherwise) that require a robust embedded processing capability.

## Technical Specification

- Approximate Dimensions 80 mm x 70 mm x 40 mm
- Temperature -40°C to 85°C
- Communications Interface CAN
- Imager Type Greyscale CMOS progressive scan
- Imager Resolution 752 x 480 pixels
- Intra-frame Dynamic Range Variable: 62 – 110 dB
- Inter-frame Dynamic Range 120 dB
- Frame Rate 30 Hz
- Supply Voltage Range 8 V – 16 V
- Operational Current < 300 mA



Typical image recognition task:  
Lane Detection



For more information on the T Cam+ contact:  
Tel: +44 (0) 121 627 4242 or E-mail: [conekt-enquiries@trw.com](mailto:conekt-enquiries@trw.com)

**conekt**  
powered by TRW

TRW Conekt  
Technical Centre  
Stratford Road  
Solihull B90 4GW  
United Kingdom

Tel: +44 (0) 121 627 4242  
Fax: +44 (0) 121 627 4243  
[conekt-enquiries@trw.com](mailto:conekt-enquiries@trw.com)  
[www.conekt.net](http://www.conekt.net)